

THIS DRAWING IS UNPUBLISHED. RELEASED FOR PUBLICATION MAY, 2010.
 © COPYRIGHT 2010 By - ALL RIGHTS RESERVED.

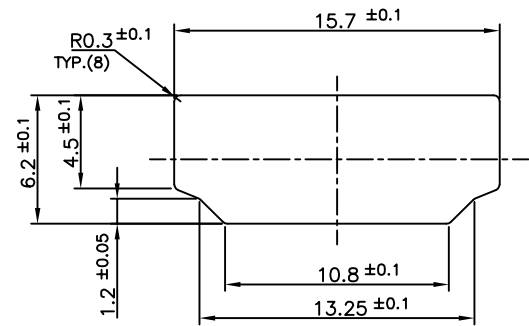
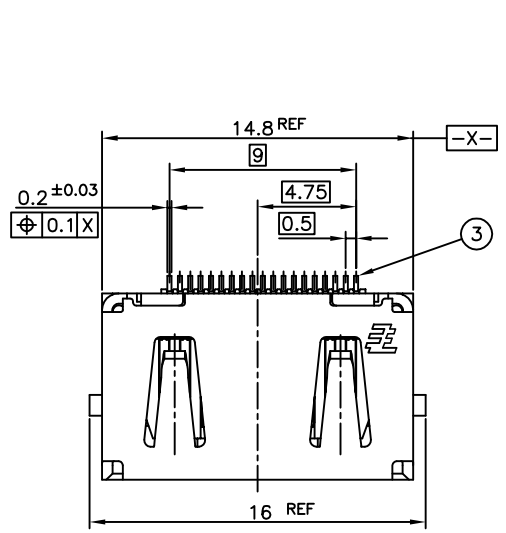
LOC	DIST	REVISIONS 変更					
ES		P	LTR	DESCRIPTION	DATE	DWN	APVD
		B2		REVISED ECR-11-023607	21NOV2011	J.H	S.Y

- 1 CONTACT COPLANALITY IS 0.1 MAX.
- △ THIS DIMENSION MEANS CENTER OF THE POCKET.
- △ M3 TAPPING + BVTP RECOMMENDED TORQUE: 68.6N (7Kgf) MAX.
- △ FINISH
- CONTACT: V μm MIN. Au PL. ON CONTACT AREA (V: SEE TABLE)
- 0.03~0.1 μm Au PL. ON TERMINAL AREA
- Ni UNDER PL. ALL OVER
- SHELL: Sn PL. (MATTE) ALL OVER
- Ni UNDER PL. ALL OVER
- △ SCREW SIZE
- △ QTY PRINT ON THE LABEL. (EMBOSS PACKING)

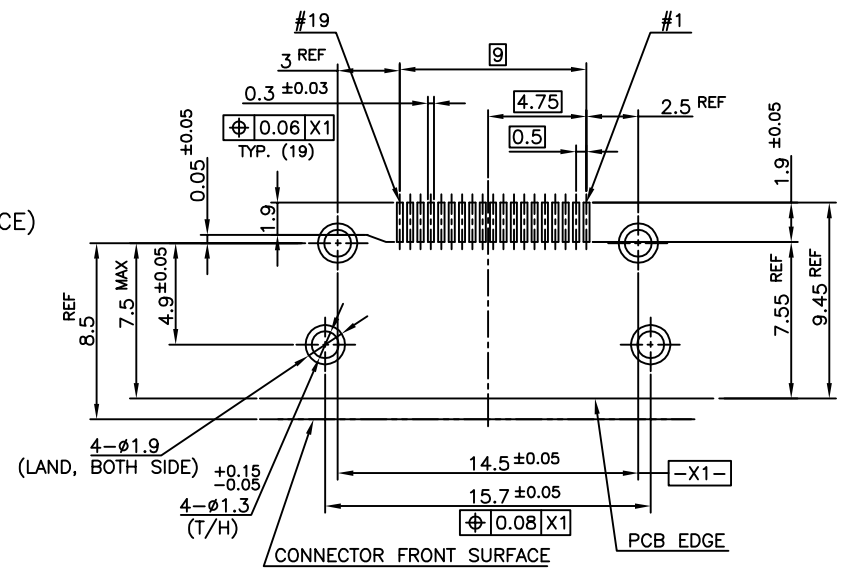
(B2)	0.1	-	△ 550	0.9	-	-	-	-	33.5	37.5	9.32	0.4	32	28.4	14.2	16	WITHOUT TAPE	WITHOUT FLANGE	THROUGH HOLE	(SEE SHEET 2)	EMBOSS (SEE SHEET 5)	1932649-6	
	0.3	M3 x 0.5	70	1.9	46	138	6-23	46	-	-	-	-	-	-	-	-	WITHOUT TAPE	WITH FLANGE	THROUGH HOLE	(SEE SHEET 4)	SOFT TRAY (SEE SHEET 6)	2-1932649-5	
	0.3	M3 x 0.5	70	1.9	46	138	6-23	46	-	-	-	-	-	-	-	-	WITHOUT TAPE	WITH FLANGE	THROUGH HOLE	(SEE SHEET 3)	SOFT TRAY (SEE SHEET 6)	1-1932649-5	
	0.3	M3 x 0.5	70	1.9	46	138	6-23	46	-	-	-	-	-	-	-	-	WITHOUT TAPE	WITH FLANGE	THROUGH HOLE	(SEE SHEET 3)	SOFT TRAY (SEE SHEET 6)	1-1932649-2	
	0.1	M3 x 0.5	70	1.9	46	138	6-23	46	-	-	-	-	-	-	-	-	WITHOUT TAPE	WITH FLANGE	THROUGH HOLE	(SEE SHEET 3)	SOFT TRAY (SEE SHEET 6)	1932649-5	
	0.1	M3 x 0.5	70	1.9	46	138	6-23	46	-	-	-	-	-	-	-	-	WITHOUT TAPE	WITH FLANGE	THROUGH HOLE	(SEE SHEET 3)	SOFT TRAY (SEE SHEET 6)	1932649-4	
	0.1	M3 x 0.5	△ 200	1.9	-	-	-	-	45.5	49.5	18.3	0.5	44	40.4	20.2	20	WITHOUT TAPE	WITH FLANGE	THROUGH HOLE	(SEE SHEET 3)	EMBOSS (SEE SHEET 5)	1932649-3	
	0.1	△ 2.65±0.3	70	1.9	46	138	6-23	46	-	-	-	-	-	-	-	-	WITHOUT TAPE	WITH FLANGE	THROUGH HOLE	(SEE SHEET 3)	SOFT TRAY (SEE SHEET 6)	1932649-2	
	0.1	-	△ 550	1.9	-	-	-	-	33.5	37.5	9.32	0.4	32	28.4	14.2	16	WITHOUT TAPE	WITHOUT FLANGE	THROUGH HOLE	(SEE SHEET 2)	EMBOSS (SEE SHEET 5)	1932649-1	
	V	U	T	AA	S	R	P	N	M	L	K	J	H	G	F	E	POLYIMIDE TAPE	FLANGE	SHELL TYPE	CONNECTOR	PACKING	PART NUMBER	
	△ Au PL.	△ SCREW SIZE	QTY	DIMENSION												PART LIST							

THIS DRAWING IS A CONTROLLED DOCUMENT.		DWN C.FISHER 20MAY2010	STE TE Connectivity	
DIMENSIONS: 單位: 稱 mm		CHK L.MARTIN 20MAY2010		
TOLERANCES UNLESS OTHERWISE SPECIFIED: 一般公差		APVD Y.STEVEN 20MAY2010	NAME 名稱 HDMI 19 POS RECEPTACLE ASSY SMT SHORT TYPE	
0 PLC ± 1 PLC ± 2 PLC ± 3 PLC ± 4 PLC ± ANGLES ±		PRODUCT SPEC 製品規格 108-78180-8	SIZE A3	
MATERIAL 材料		APPLICATION SPEC 取付適用規格	CAGE CODE 00779	DRAWING NO 番号 C=1932649
FINISH 仕上		WEIGHT	RESTRICTED TO	
CUSTOMER DRAWING			SCALE 尺度 4:1	SHEET 1 OF 7
			REV B2	

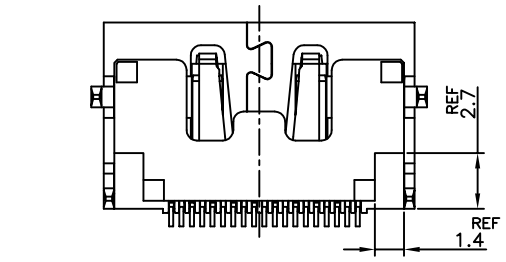
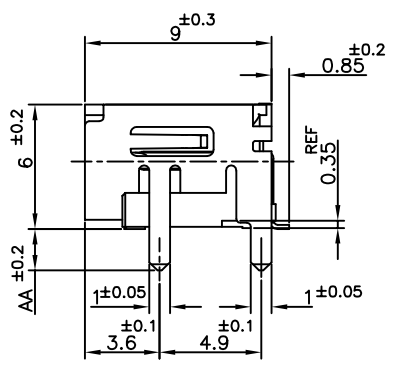
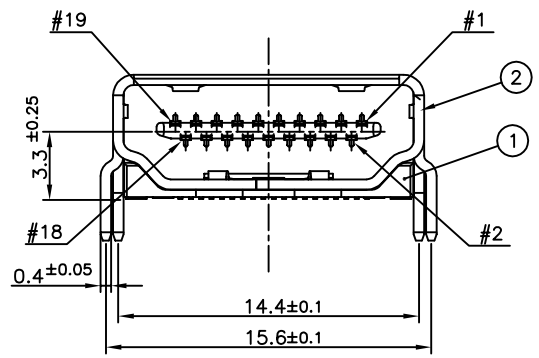
LOC	DIST	REVISIONS					
ES		P	LTR	DESCRIPTION	DATE	DWN	APVD
		-		SEE SHEET 1	-	-	-



PANEL CUT OUT DIMENSION (REFERENCE)



P.C.B LAYOUT (REFERENCE)
SHOWN AS CONNECTOR MOUNTING SIDE
TOLERANCE: NON-CUMULATIVE



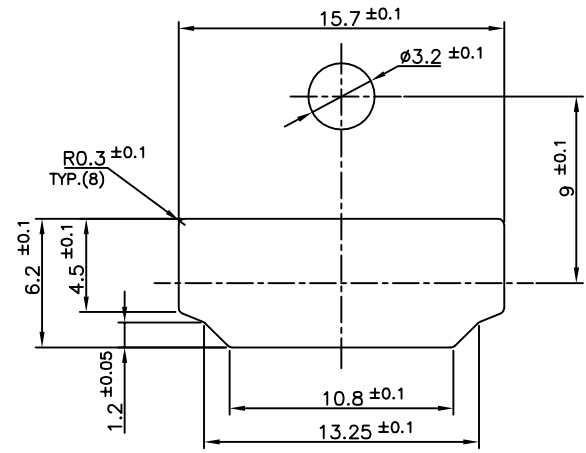
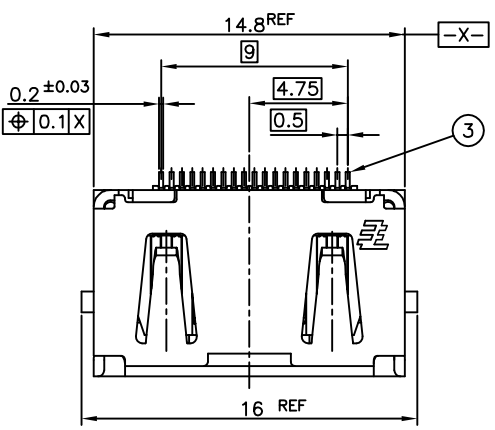
CONNECTOR: WITHOUT FLANGE THROUGH HOLE TYPE

BRASS	CONTACT	③
STAINLESS STEEL	SHELL	②
GLASS FILLED LCP UL94V-0, BLACK COLOR	HOUSING	①
MATERIAL	DESCRIPTION	ITEM

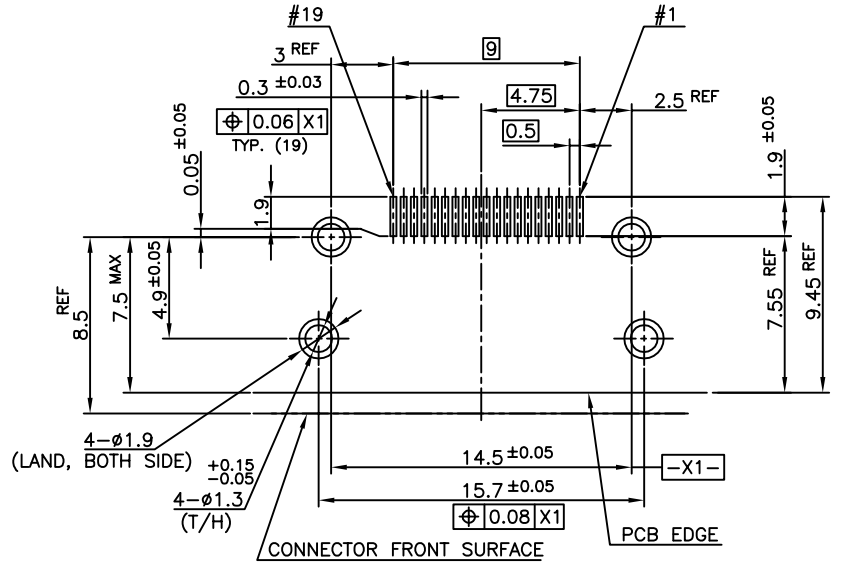
THIS DRAWING IS A CONTROLLED DOCUMENT.		DWN			
DIMENSIONS: 單位: 毫米 mm		CHK			
TOLERANCES UNLESS OTHERWISE SPECIFIED: 一般公差		APVD		NAME 名稱	
0 PLC ±		PRODUCT SPEC 製品規格		HDMI 19 POS RECEPTACLE ASSY SMT SHORT TYPE	
1 PLC ±		APPLICATION SPEC 取付適用規格		SIZE	
2 PLC ±		WEIGHT		CAGE CODE	
3 PLC ±		CUSTOMER DRAWING		DRAWING NO	
4 PLC ±		SCALE 尺度 4:1		SHEET 2 of 7	
ANGLES ±		REV B2		RESTRICTED TO	
FINISH 仕上		A3 00779		G=1932649	

THIS DRAWING IS UNPUBLISHED. RELEASED FOR PUBLICATION SEP ,2005.
 © COPYRIGHT 2005 By - ALL RIGHTS RESERVED.

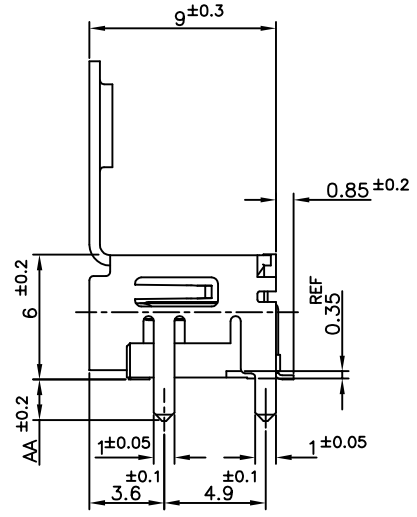
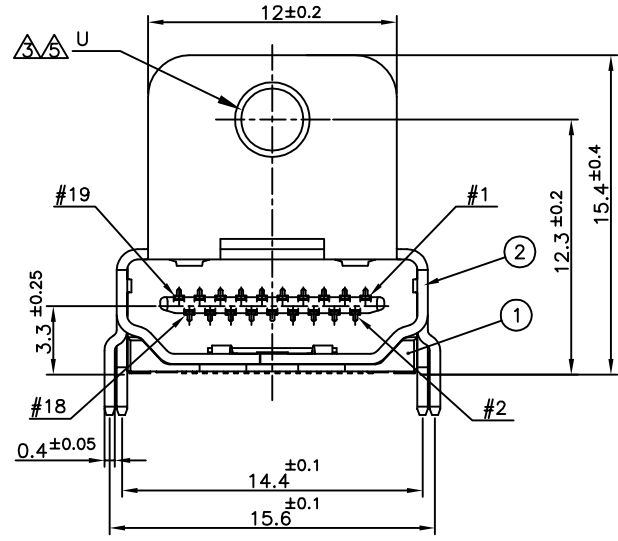
LOC	DIST	REVISIONS		
ES		P	LTR	DATE
			SEE SHEET 1	



PANEL CUT OUT DIMENSION (REFERENCE)

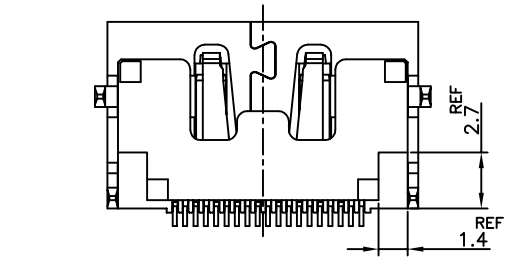


P.C.B LAYOUT (REFERENCE)
 SHOWN AS CONNECTOR MOUNTING SIDE
 TOLERANCE: NON-CUMULATIVE



CONNECTOR: WITH FLANGE THROUGH HOLE TYPE

BRASS	CONTACT	③
STAINLESS STEEL	SHELL	②
GLASS FILLED LCP UL94V-0, BLACK COLOR	HOUSING	①
MATERIAL	DESCRIPTION	ITEM



THIS DRAWING IS A CONTROLLED DOCUMENT.

DIMENSIONS: 單位: 毫米 mm	TOLERANCES UNLESS OTHERWISE SPECIFIED: 一般公差	DWN	CHK	APVD	NAME 名稱
0 PLC ±	1 PLC ±	PRODUCT SPEC 製品規格	HDMI 19 POS RECEPTACLE ASSY SMT SHORT TYPE		
2 PLC ±	3 PLC ±	APPLICATION SPEC 取付適用規格	WEIGHT	SIZE A3	CAGE CODE 00779
4 PLC ±	ANGLES ±	MATERIAL 材料	CUSTOMER DRAWING	DRAWING NO C=1932649	RESTRICTED TO
FINISH 仕上				SCALE 尺度 4:1	SHEET 3 of 7

REV B2

4

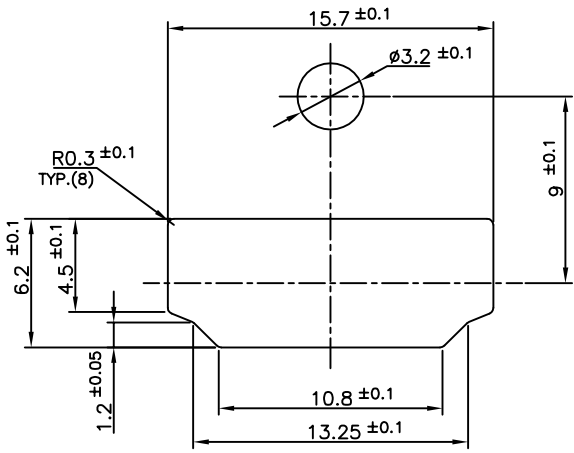
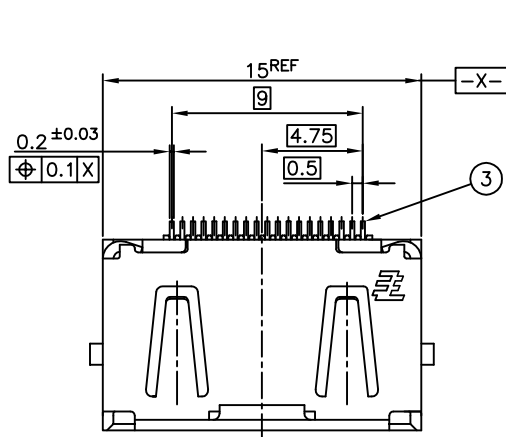
3

2

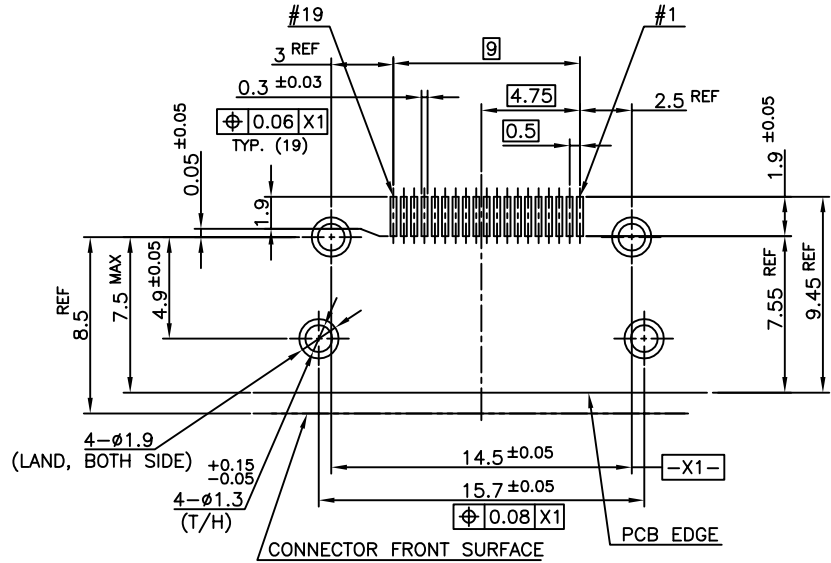
1

THIS DRAWING IS UNPUBLISHED. RELEASED FOR PUBLICATION SEP., 2005. ALL RIGHTS RESERVED.

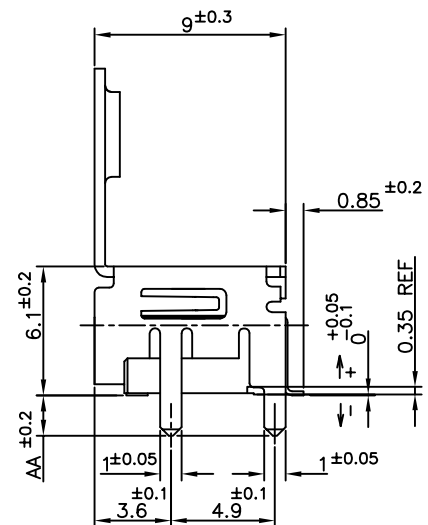
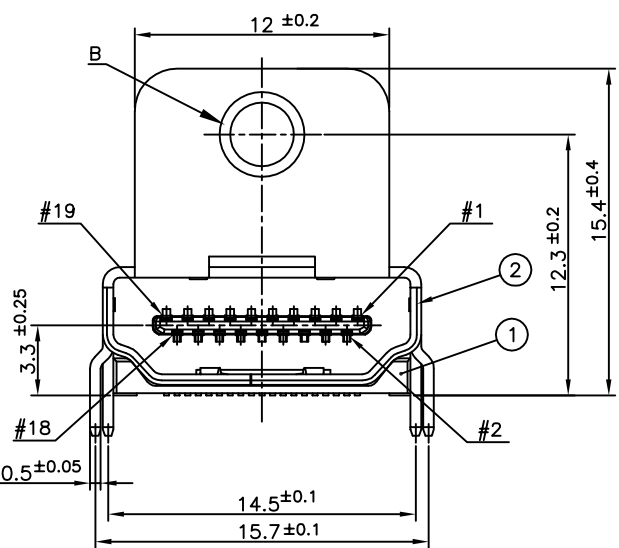
LOC		REVISIONS			DATE	DWN	APVD
ES		変更					
P	LTR	DESCRIPTION					
		SEE SHEET 1					



PANEL CUT OUT DIMENSION (REFERENCE)

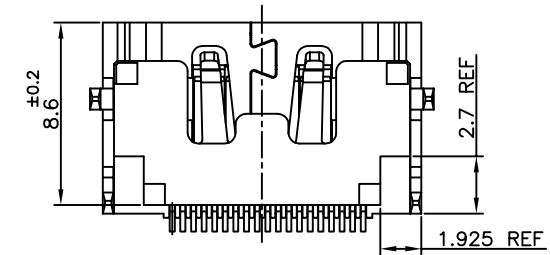


P.C.B LAYOUT (REFERENCE) SHOWN AS CONNECTOR MOUNTING SIDE TOLERANCE: NON-CUMULATIVE



CONNECTOR: WITH FLANGE THROUGH HOLE TYPE

BRASS	CONTACT	③
BRASS	SHELL	②
GLASS FILLED LCP UL94V-0, BLACK COLOR	HOUSING	①
MATERIAL	DESCRIPTION	ITEM

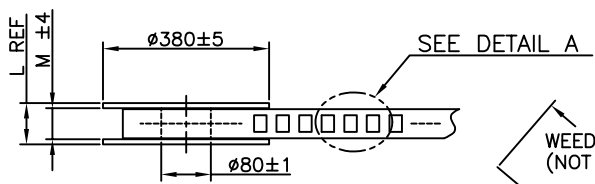
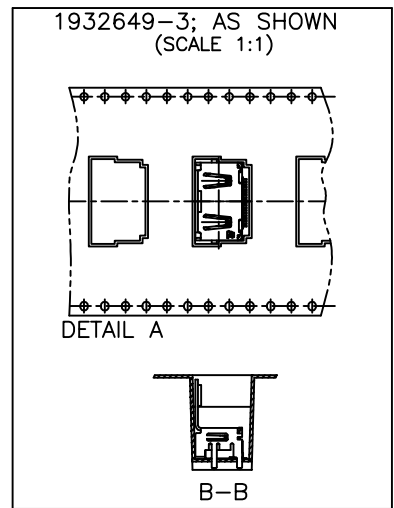
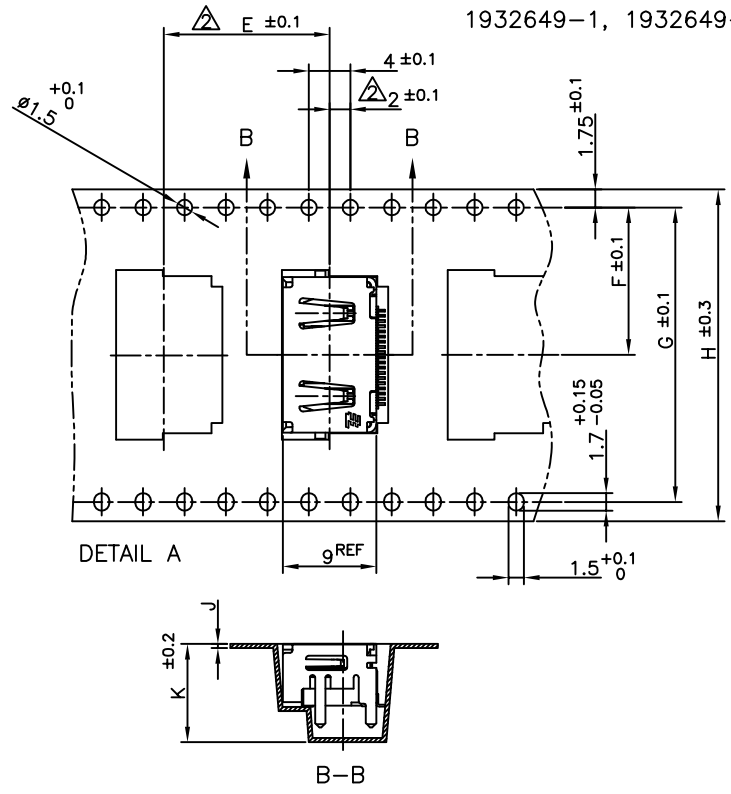


THIS DRAWING IS A CONTROLLED DOCUMENT.

DIMENSIONS: 單位: 稱 mm	TOLERANCES UNLESS OTHERWISE SPECIFIED: 一般公差	DWN	CHK	APVD	NAME 名稱	SIZE	CAGE CODE	DRAWING NO 番号	RESTRICTED TO
0 PLC ±	1 PLC ±				TE Connectivity	A3	00779	C=1932649	
2 PLC ±	3 PLC ±	PRODUCT SPEC 製品規格	APPLICATION SPEC 取付適用規格	WEIGHT	HDMI 19 POS RECEPTACLE ASSY SMT SHORT TYPE	SCALE 尺度	4:1	SHEET 4 OF 7	REV B2
4 PLC ±	ANGLES ±	CUSTOMER DRAWING							
MATERIAL 材料	FINISH 仕上								

LOC ES	DIST -	REVISIONS 変更			DATE	DWN	APVD
P	LTR	DESCRIPTION					
-	-	SEE SHEET 1		-	-	-	-

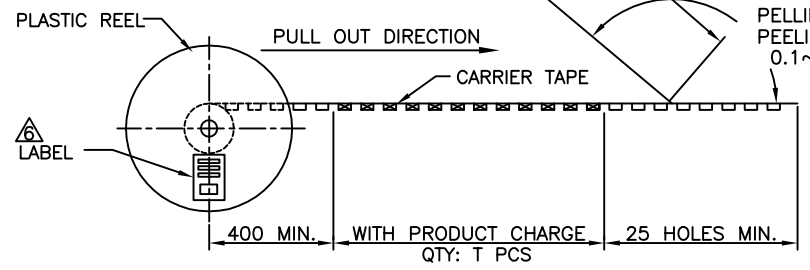
1932649-1, 1932649-6; AS SHOWN



WEEDING THE COVER TAPE: 300 MIN (NOT INCLUDE EMPTINESS POCKET)
 PELLING ANGLE: 165°~180°
 PEELING STRENGTH: 0.1~0.7N (300mm/min.)

△ LABEL DESCRIPTION
 TYCO P/N: *-1932649-*
 QTY: * pcs
 D/C:
 MADE IN CHINA

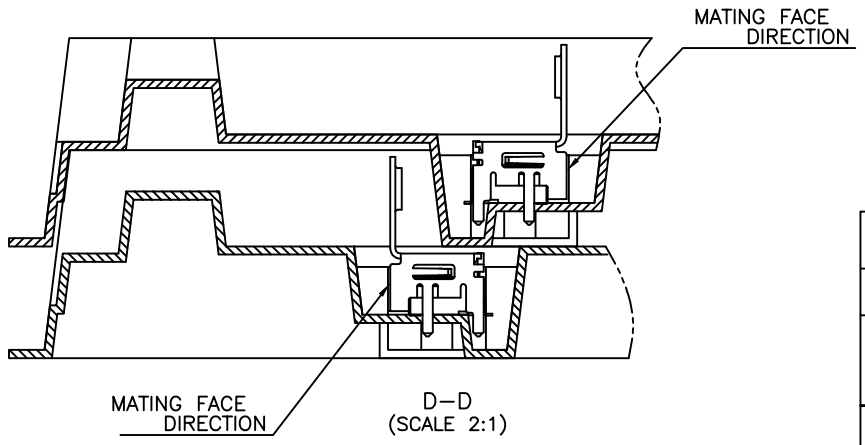
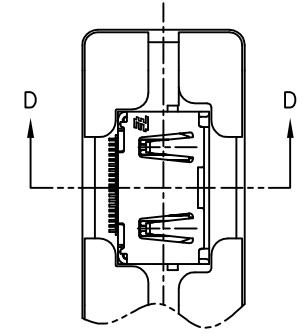
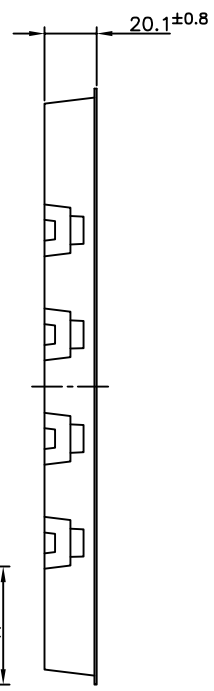
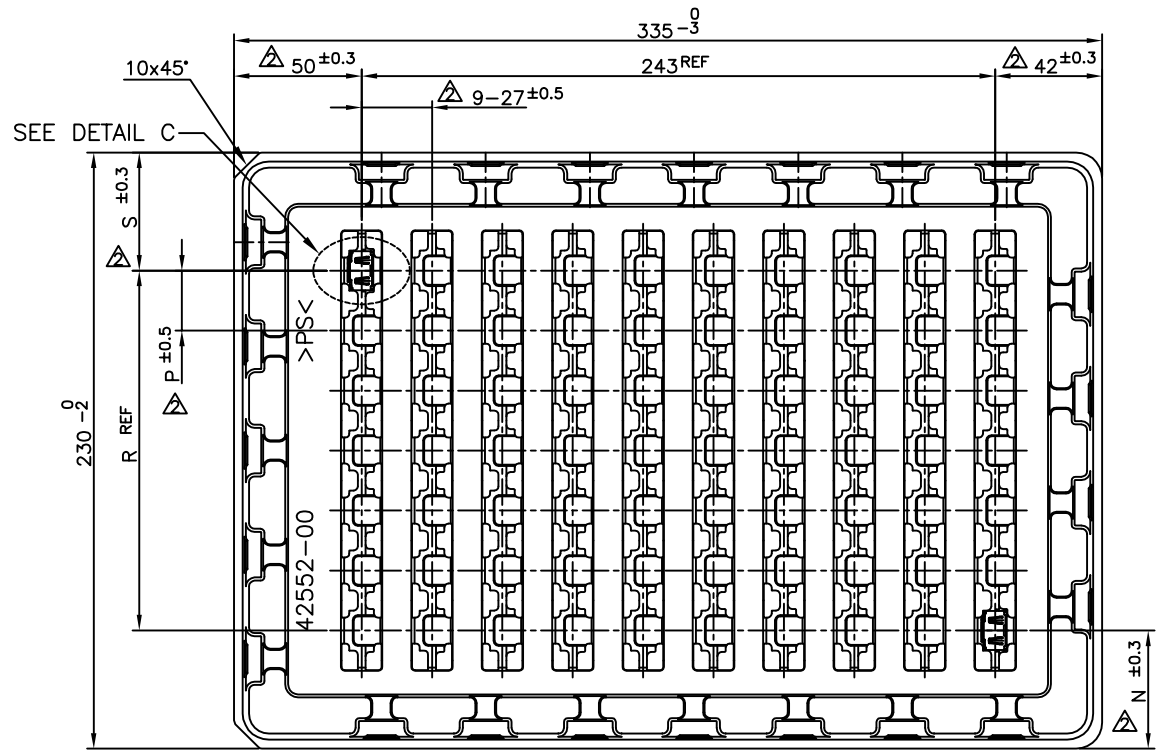
PET	COVER TAPE
PS	CARRIER TAPE
PLASTIC	REEL
MATERIAL	DESCRIPTION



THIS DRAWING IS A CONTROLLED DOCUMENT.		DWN	TE Connectivity	
DIMENSIONS: 單位: 毫米 mm		CHK		
TOLERANCES UNLESS OTHERWISE SPECIFIED: 一般公差		APVD	NAME 名稱 HDMI 19 POS RECEPTACLE ASSY SMT SHORT TYPE	
0 PLC ±		PRODUCT SPEC 製品規格	SIZE CAGE CODE DRAWING NO 番号 A3 00779 C=1932649	
1 PLC ±		APPLICATION SPEC 取付適用規格	RESTRICTED TO 番号	
2 PLC ±		WEIGHT	SCALE 尺度 4:1 SHEET 5 of 7 REV B2	
3 PLC ±		CUSTOMER DRAWING		
4 PLC ±				
ANGLES ±				
FINISH 仕上				
MATERIAL 材料				

LOC	DIST	REVISIONS		
ES		变更	DATE	DWN
		DESCRIPTION		APVD
		P LTR		
		-	SEE SHEET 1	-

1932649-2, 1932649-4, 1932649-5, 1-1932649-2, 1-1932649-5, 2-1932649-5; AS SHOWN



THIS DRAWING IS A CONTROLLED DOCUMENT.		DWN	PS MATERIAL		TRAY DESCRIPTION
DIMENSIONS: 單位: 毫米 mm	TOLERANCES UNLESS OTHERWISE SPECIFIED: 一般公差	CHK	TE Connectivity		
0 PLC ±	1 PLC ±	APVD	NAME 名稱 HDMI 19 POS RECEPTACLE ASSY SMT SHORT TYPE		
2 PLC ±	3 PLC ±	PRODUCT SPEC 製品規格	SIZE	CAGE CODE	DRAWING NO 番号
4 PLC ±	ANGLES ±	APPLICATION SPEC 取付適用規格	A3	00779	G=1932649
MATERIAL 材料	FINISH 仕上	WEIGHT	CUSTOMER DRAWING		RESTRICTED TO
			SCALE 尺度	SHEET 6 of 7	REV B2

4

3

2

1

THIS DRAWING IS UNPUBLISHED.

RELEASED FOR PUBLICATION

MAY ,2010.

© COPYRIGHT 2010 By -

ALL RIGHTS RESERVED.

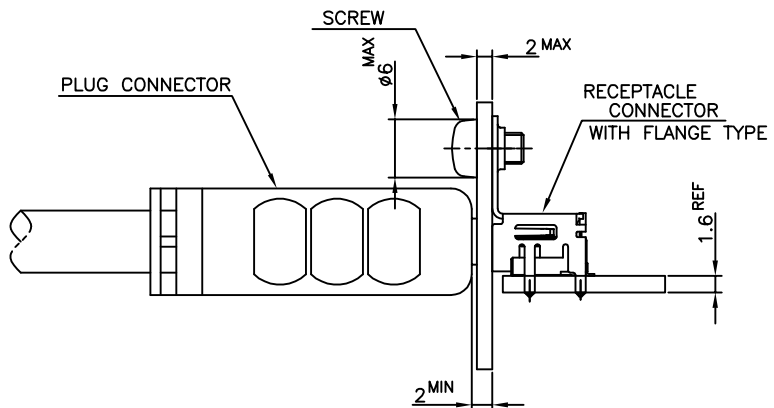
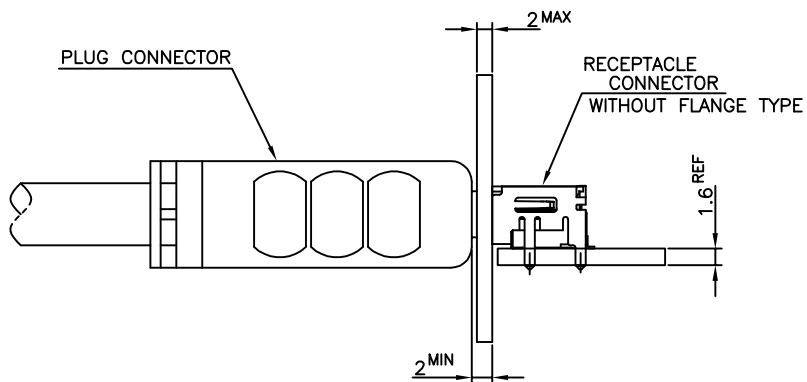
LOC
ES

DIST
/

REVISIONS

変更

P	LTR	DESCRIPTION	DATE	DWN	APVD
-	-	SEE SHEET 1	-	-	-



MATING CONDITION (REFERENCE)
(SCALE 2:1)

THIS DRAWING IS A CONTROLLED DOCUMENT.		DWN		TE TE Connectivity	
DIMENSIONS: 單位: 絲 mm		CHK			
		APVD		NAME 名稱	
		PRODUCT SPEC 製品規格		HDMI 19 POS RECEPTACLE ASSY SMT SHORT TYPE	
		APPLICATION SPEC 取付適用規格		DRAWING NO 番号	
		MATERIAL 材料		WEIGHT	
FINISH 仕上		CUSTOMER DRAWING		SCALE 尺度 4:1	
TOLERANCES UNLESS OTHERWISE SPECIFIED: 一般公差		DRAWING NO C=1932649		SHEET 7 of 7	
0 PLC ±		A3 00779		REV B2	
1 PLC ±					
2 PLC ±					
3 PLC ±					
4 PLC ±					
ANGLES ±					